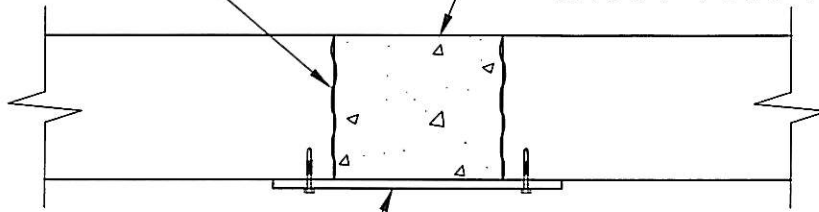


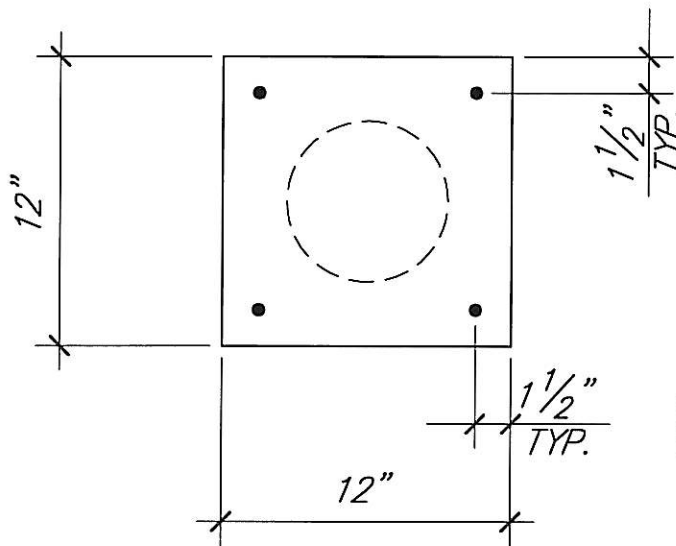
ROUGHEN SURFACE &
PROVIDE HIGH STRENGTH
BONDING AGENT SIKA
SIKADUR 32, HIMOD OR
EQUIVALENT.

FOR HOLES LESS THAN
10" IN DIAMETER, PLACE
HIGH STRENGTH NON-SHRINK
GROUT 7000 PSI MIN.



12" SQUARE 18 GA. PL W/
4- $\frac{1}{4}$ " ϕ SIMPSON OR EQUAL
TITEN CONCRETE SCREWS
EMBED $1\frac{1}{2}$ " MIN.

SECTION



PLAN



T M A D
TAYLOR
& GAINES

280 North Westlake Blvd., Suite 210
Thousand Oaks, California 91362
(805) 418-9929 Fax (805) 418-9930 www.tmadtg.com
Project No. 4400xxx

- STRUCTURAL
- MECHANICAL
- ELECTRICAL
- CIVIL

SUBJECT HOLE IN SLAB DETAIL

PROJECT THE OAKS MALL

PROJECT # 4406053

SHEET # SK-1

DATE 07-18-07 DRAWN BY XX

CHECKED BY SR

SCALE NONE

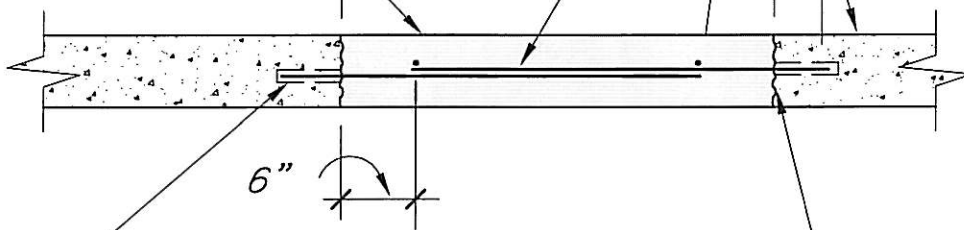
FILL-IN EXISTING
SLAB OPENING W/
HIGH STRENGTH
NON-SHRINK GROUT
7000 PSI MIN.

SLAB OPENING
2'-0" MAX.

#4 @ 6" O.C. EA. WAY

4" TYP.

(E) CONC. SLAB



SET REINF. IN 1 1/2" ϕ HOLE
W/ NON-SHRINK GROUT
OR IN 9/16" ϕ HOLE WITH
HILTI HVA EPOXY. (ICC-ER #5369) OR
SIMPSON SET EPOXY (ICC-ESR #1772)

ROUGHEN SURFACE & PROVIDE
HIGH STRENGTH BONDING AGENT
SIKA SIKADUR 32, HIMOD OR
EQUIVALENT.



T M A D
TAYLOR
& GAINES

280 North Westlake Blvd., Suite 210
Thousand Oaks, California 91362
(805)418-9929 Fax (805)418-9930 www.tmadtg.com
Project No. 4400xxx

• STRUCTURAL
• MECHANICAL
• ELECTRICAL
• CIVIL

SUBJECT DECK SLAB CLOSURE

PROJECT THE OAKS MALL

PROJECT # 4406053

SHEET # SK-2

DATE 07-18-07 DRAWN BY XX

CHECKED BY SR

SCALE NONE